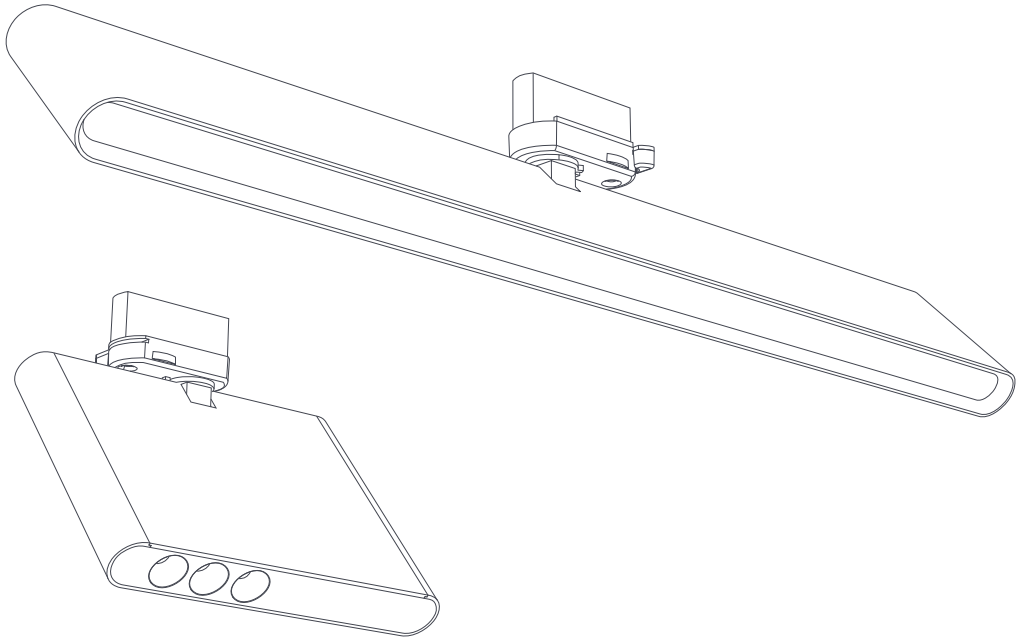




HALLA

VIMA / Design Serge Cornelissen

VI



MMA

HALLA

+

Serge Cornelissen

HALLA, a.s. is an important Czech manufacturer and exporter of design lighting fixtures of a technical nature. HALLA products combine cutting edge technical parameters with an imaginative appearance, enabling a perfect harmony of light and space especially due to HALLA cooperation with designers and architects. HALLA is always looking for new ways to push the boundaries of quality lighting while respecting nature, history as well as the current trends. HALLA is holder of many awards as for example Red Dot Award, IF Design Award, German Design Award.

www.halla.eu



Designer Serge Cornelissen

Serge Cornelissen stands for over 20 years of experience in the design of architectural lighting products. Starting his career as graduated architect, Serge Cornelissen's approach to product design has continued to demonstrate a particular love for architecture, visible in the sense of proportion and detail of every design. Also, this architectural background has led to a thorough acknowledgement of the particular role of lighting solutions in their architectural context, enhancing the chances of a product's success on the market.

The intent of each new design project is to combine aesthetical, technical and economical constraints into a coherent concept with a clear mission to fulfill a certain lighting need. As these constraints are different every time, each new design has to start from scratch, with a single line on a white sheet of paper. For that reason, the designs by Serge Cornelissen are not characterized by an own recognizable style or a designer's signature justifying certain aesthetical choices. Instead, the bureau's philosophy is that the field of architectural lighting is just as diverse as architecture itself. Serge Cornelissen designs are regularly rewarded by international design awards.



luminaire **vima**

HALLA / 2016

VIMA is a professional LED projector characterized by its flatness, made possible by the integration of state of the art LED components. The design is the result of an innovative lay-out in which the LEDs, the heatsink and the drivers are arranged asymmetrically on the same level. This adjustable spotlight is made of milled extruded aluminum profile and contains three latest generation COB LEDs for a more efficient thermal management compared with an equally performant single LED. The luminaires can be equipped in addition to highly luminous LED with colour rendering index $Ra > 80$ or $Ra > 90$ also with LED sources with Real Colour technology ensuring extremely high rendering index $Ra > 97$. The RealColour luminaires are suitable in particular for illumination of the exhibits where perfect colour fidelity is required. The luminaires with RealWhite technology are intended for the cases when it is necessary to ensure the white colour without the tints of other colours. For specific requirements, where the aim is to intensify certain colours of the illuminated objects a wide range of StrongColour variants is available, here you can find for example special luminaires for illumination of meat, jewellery etc.





technical **description**

luminaire / VIMA

Body: Aluminium profile/ powder painting

Colour: Black, White

Fitting: Track

Light distribution: Direct

Optics type: Reflectors (26°, 44°, 62°) or opal difuzor

Colour temperature: 3000K, 4000K

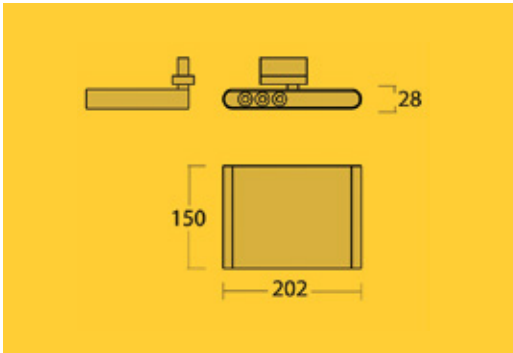
Voltage: 230V, 50Hz

Connection options: ON/OFF, DALI, Touch dimm on the luminaire

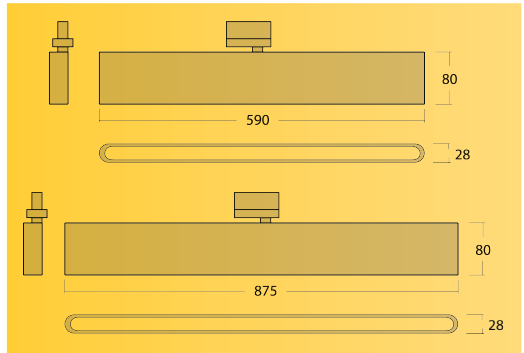
Track Compatibility: EUTRACK, NORDIC ALUMINUM, AAG STUCCHI, IVELA

Type of light: Ra>80, Ra>90, RealWhite, StrongColour, Real Colour

www.halla.eu/vima



Type A



Type B

Dimensions: 202mm x 150mm x 28mm Type A
590mm x 80mm x 28mm Type B
875mm x 80mm x 28mm Type B

"We were inspired by principles of instamatic pocket cameras of the late 1960's."

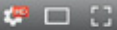
design by
Serge Cornelissen



▶ ⏪ 🔊 0:17 / 1:15



▶ ⏪ 🔊 0:30 / 1:15



www.youtube.com/watch?v=znRLeqAqCTA



HALLA

HALLA, a.s.

Czech manufacturer of luminaires

Litvínovská 288/11

190 00 Prague 9

Czech Republic

TELEPHONE:

+420 286 844 205

+420 286 881 758

EMAIL:

export@halla.cz

www.halla.eu/vima

f halla.lighting

@ #hallalighting